



Supplementary Owner's Handbook

Ford **Transit** CurtainSlider

March 2008 on



The illustrations, technical information, data and descriptions contained in this publication, were correct at the time of going to print. VFS (Southampton) Ltd reserve the right to make any changes necessary in line with continuous development and improvement.

No liability can be accepted for any inaccuracies or omissions in this publication, although due care has been taken to make it as complete and accurate as possible. This publication includes options that are available on Curtain Slide bodies, therefore some of the items covered may not be available or apply to your vehicle.

This publication may not be duplicated, reprinted, stored in a data processing system or transmitted by electronic, mechanical, photographic or other means, or recorded, translated, edited, abridged or expanded without the prior written consent of VFS (Southampton) Ltd. The same also applies for parts of this manual and their use in other publications.

© Copyright 2008. Issued by VFS (Southampton) Ltd. Part No: VFS01-15-0139A

Printed by: Bob Watkins Artwork & Design 01708 222322. Printed on totally Chlorine-free (TCF) paper

# **Table of Contents**

---

<b>Introduction</b>	<b>2</b>
<b>Symbols and Glossary</b>	<b>2</b>
<b>Technical Specifications</b>	<b>4</b>
<b>Doors, Handles Locks and Retainers</b>	<b>6</b>
<b>Steps and Grab Handles</b>	<b>9</b>
<b>Load Retention</b>	<b>10</b>
<b>Electrical</b>	<b>11</b>
<b>Parts and Accessories</b>	<b>13</b>
<b>Spare Parts</b>	<b>14</b>
<b>Warranty</b>	<b>28</b>
<b>Index</b>	<b>29</b>
<b>Maintenance and Repair Log</b>	<b>30</b>

# Introduction

---

This supplementary owners handbook must be referred to in addition to the standard Transit owner's handbook. Read and understand both manuals and familiarise yourself with the vehicle before operating the vehicle on the road.

Note: This handbook only details the features on the CurtainSlide Body that are not covered in the standard Transit owners handbook, therefore it is imperative that this supplementary handbook is kept with the standard Transit owners handbook.

Note: Always use and operate your vehicle in line with all applicable laws and regulations.

Note: Pass on this handbook when selling your vehicle, it is an integral part of the vehicle.

## Symbols and Glossary

---

### Symbols in this handbook

#### WARNING



You risk death or serious injury to yourself and others if you do not follow the instructions highlighted by the warning symbol.

#### CAUTION



You risk damaging your vehicle if you do not follow the instructions highlighted by the caution symbol.

# Symbols and Glossary

---

## Safety First

### WARNING



- Transporting goods is a potentially hazardous operation. It is essential that all operators fully understand the procedures detailed in this handbook and are aware of the features and controls. Health and Safety legislation must be strictly applied. UK Construction & Use Regulations must be observed when operating the vehicle on the public highway.
- It is the responsibility of the Driver, Owner and/or Operator to establish what Health and Safety legislation applies when using this vehicle and that only persons trained and qualified in line with that legislation be allowed to use this equipment.
- Depending on the circumstances and the territory that the vehicle is being used, other legislation may apply. Always check that existing legislation has not been updated or superseded, and whether new legislation has been introduced.
- Ensure that all doors are closed and latched before driving the vehicle.

---

## Loading

### CAUTION

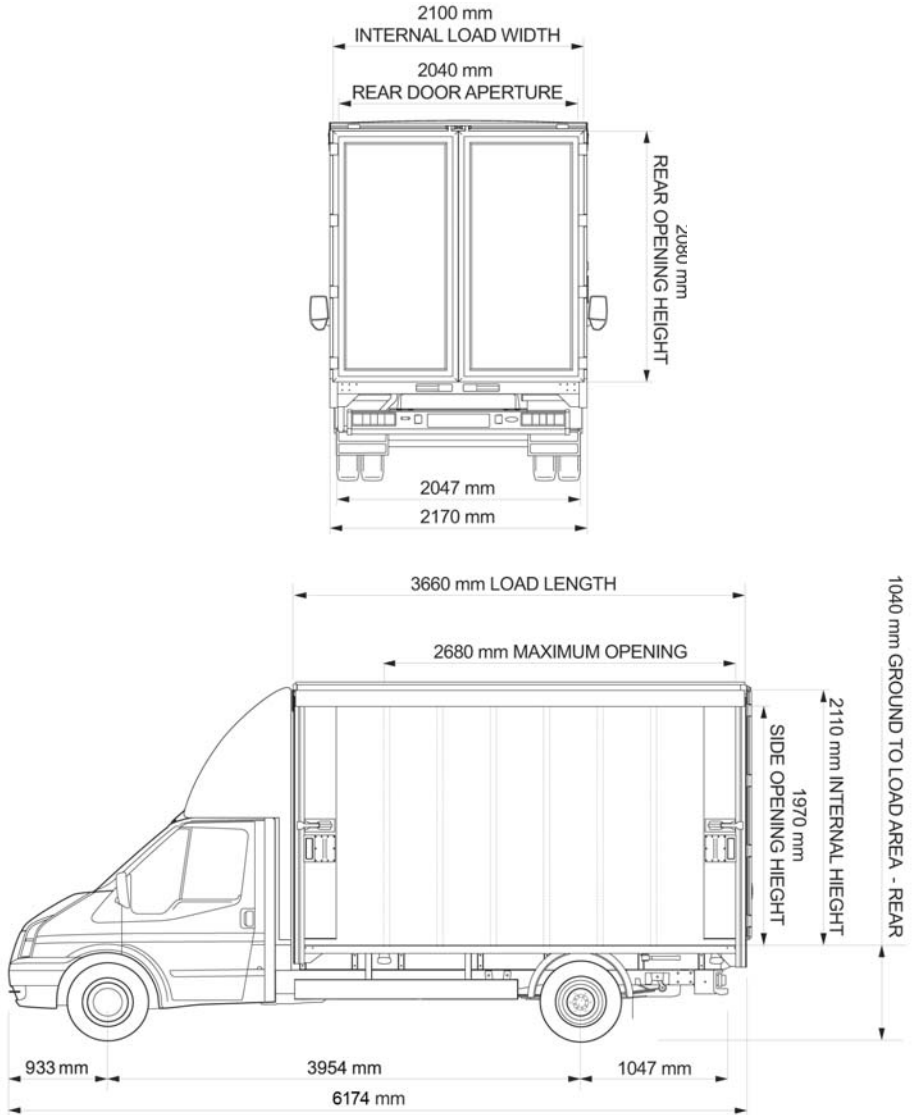


- Prior to loading, ensure that the access door to the body is fully open and secured with the retainer provided.
- When loading pallets with a fork truck take care not to damage the side rails and doors as the curtain operation may be adversely affected.
- Avoid dropping loads on to the floorboard.
- Always secure any loads with industry approved straps using the load lash points provided on the body.
- Do not use the grab handles or the protective timber on the bulkhead to lash loads.

# Technical Specifications

Vehicle Dimensions:

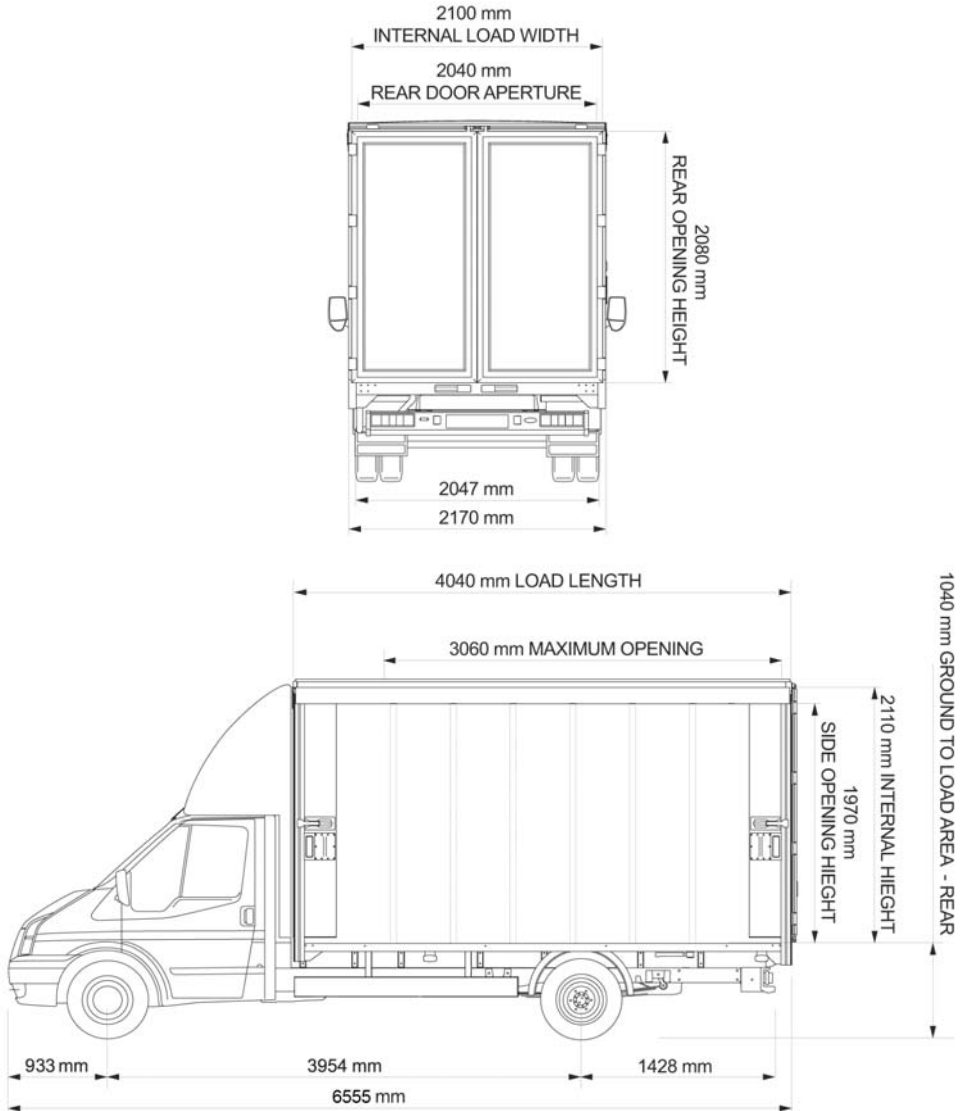
## 3.6m/ 11ft 9in CurtainSlide 350L /460L



# Technical Specifications

Vehicle Dimensions:

## 4.0m/ 13ft 1in CurtainSlide 350EF /460EF



# Doors, Handles Locks and Retainers

---

## Side Curtain Handles and Locks

All CurtainSlide Transits are fitted with lockable handles on all side curtains. To unlock the handle, insert key and rotate. To open the curtain pull handle toward you, unhook the catch and slide the curtain either forwards or backwards. To close the curtains reverse the instruction above.



## WARNING



Always ensure that unstable loads are not pressing against the curtain surface prior to opening.

---

## Curtain Operation

The curtain is designed to fold neatly, providing a fast smooth operation. New vehicles may require some attention to ensure consistent folding until the curtain material forms correctly. Plastic strips inserted in the pockets may require forming by hand in the manner shown in the photographs opposite.





## Doors, Handles Locks and Retainers

---

A correctly functioning curtain will fold as shown in the drawing opposite. Curtain longevity is improved with correct operation.



### Curtain Open Retainers

To hold the curtain in its open position, slide the curtain fully open, lift the retainer located in the side rave and rotate through 90°.



# Door Handles Locks and Retainers

## Rear Door Handles and Locks

The rear doors are fitted with lockable handles. To unlock the handles, insert the key and rotate. To open the rear doors grip the right hand rear door handle, press the button and pull the handle towards you.

To open the LH door repeat the operation described above.



## 270 degree Door Retainers

When the rear doors are opened they should always be secured in the open position using the 270 retainers provided.

To secure the door, fold the door back against the body side, grip the retainer handle, pull outwards and rotate. Release the handle so that the spring pressure forces the handle back against the door.



## WARNING



As the door swings open take care that it is securely held. Never leave the rear doors open at 90°, always use the 270° retainers.



When opening doors take special care and check for pedestrians, cyclists and passing traffic. Do not drive with either side or rear doors open.

## Steps and Grab Handles

### 350 LWB and 350 LWB EF

350 models are fitted with a step mounted at the front of the body on the left hand side and a grab handle fitted to the bulkhead.



### 460 LWB and 460 LWB EF

460 models are fitted with side under-run guards on the left and right side of the body. The front of the under-run guard is to be used as a step. Two grab handles are fitted to the bulkhead to assist entry.



## CAUTION



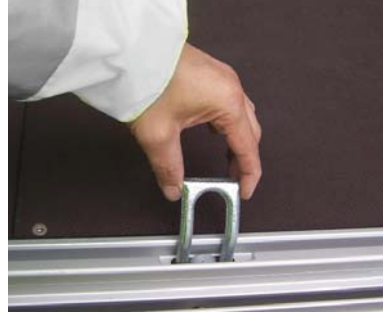
Under no circumstances should the grab handles be used as a lashing point to restrain the load!

# Load Retention

---

## Tie Down Points

CurtainSlide bodies are fitted with four tie down rings along each side rave. With the curtain open, the rings can be lifted out of the side rave and provide a fixing for load lashing. Each tie down ring has been tested and approved to support a load of 800Kg.



## Load Lashing Rings

Two load lashing rings are provided on the front-end wall. These are tested and approved to support a load of 1000Kg.



## CAUTION



Under no circumstances should the protective timber on the bulkhead be used as a lashing point to restrain the load.

---

# Electrical

---

## Interior Lamps

CurtainSlide bodies are fitted with an interior spot lamp to illuminate the load space in poor light conditions.

The spot lamp can only function when the vehicles side lights are switched on and can be switched on and off by rotating the switch on the back of the lamp.

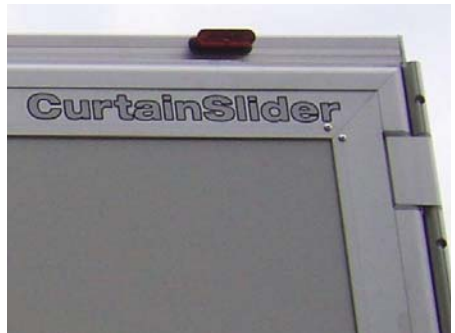
The power feed for the interior lamp is taken from the customer connection point at the rear of the drivers seat and is switched via a fused relay located in an electrical box mounted on the floor behind the drivers seat. (see wiring diagram for circuit)



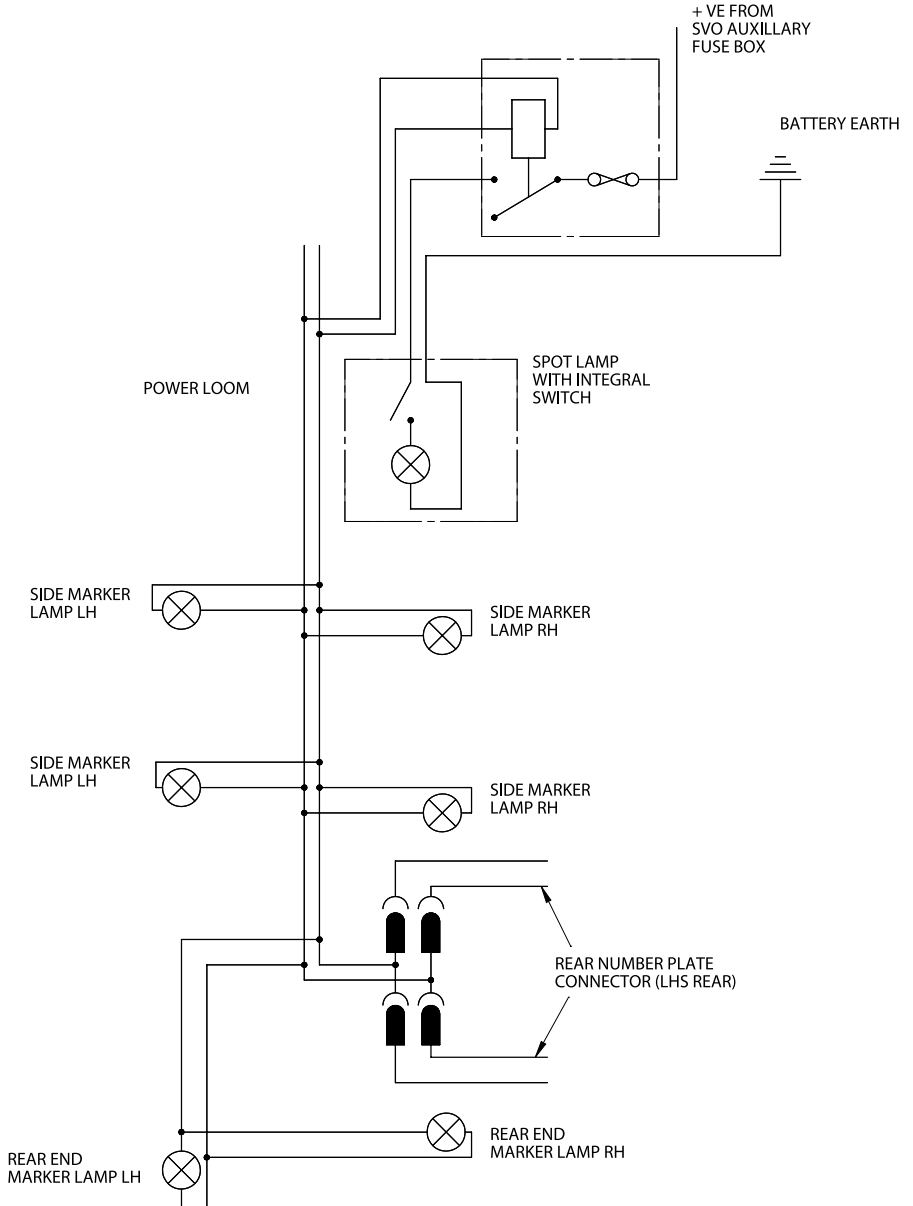
## Side and Rear End Outline Marker Lamps

Obligatory side marker lamps and rear end outline marker lamps are fitted to all curtain side bodies. These are designed to function when the vehicles sidelights are switched on.

These are LED type lamps and do not have servicable bulbs



# Electrical



## **Parts And Accessories**

---

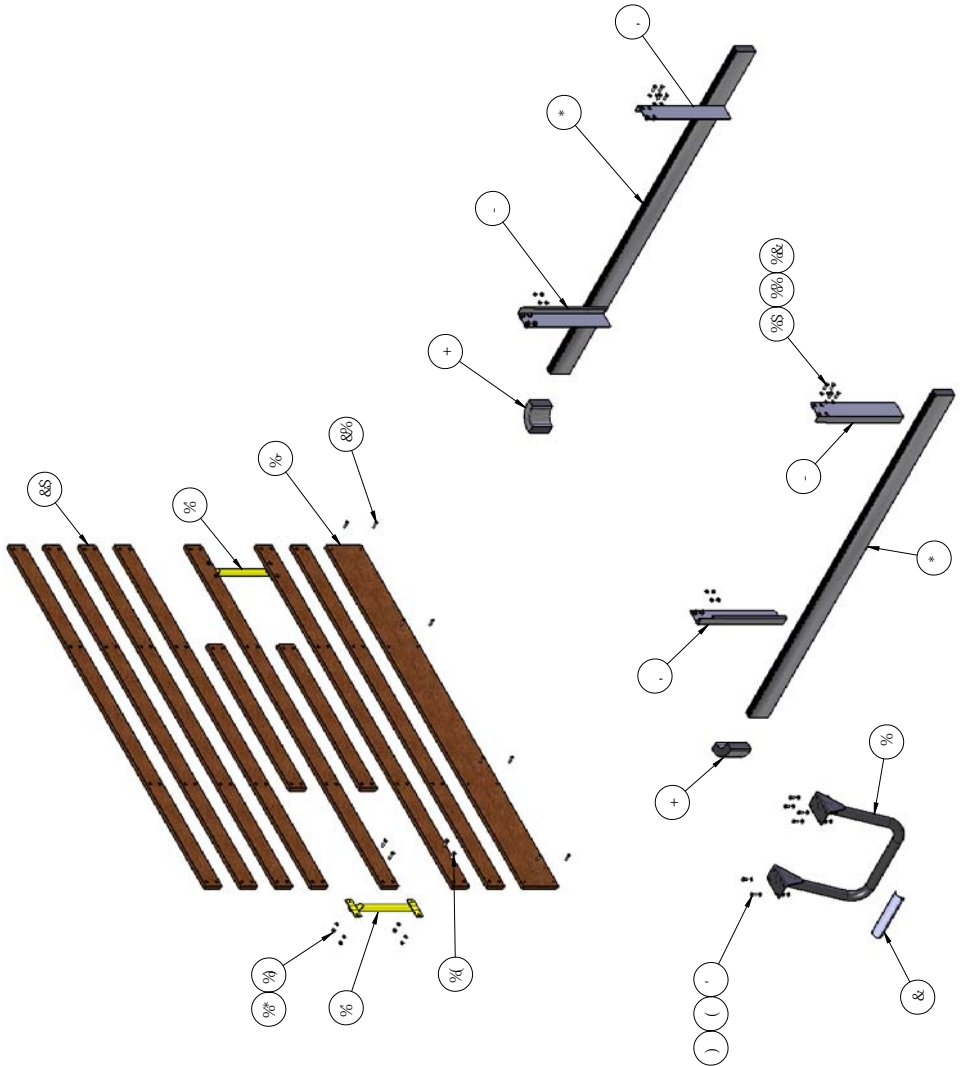
Spare parts and Accessories are available from: VFS (Southampton) Ltd, Unit 8, Barton Park Industrial Estate, Chickenhall Lane, Eastleigh SO50 6RR

Tel: 023 8065 1704 • Fax: 023 8062 0999 • Email: [parts@vfs.co.uk](mailto:parts@vfs.co.uk)

Detailed information can be found in the Spare Parts and Accessories section of this manual. All maintenance and repairs should be logged in the section.

# Spare Parts

## Steps, Under-run Guard, Bulkhead Protection and Grab Handle



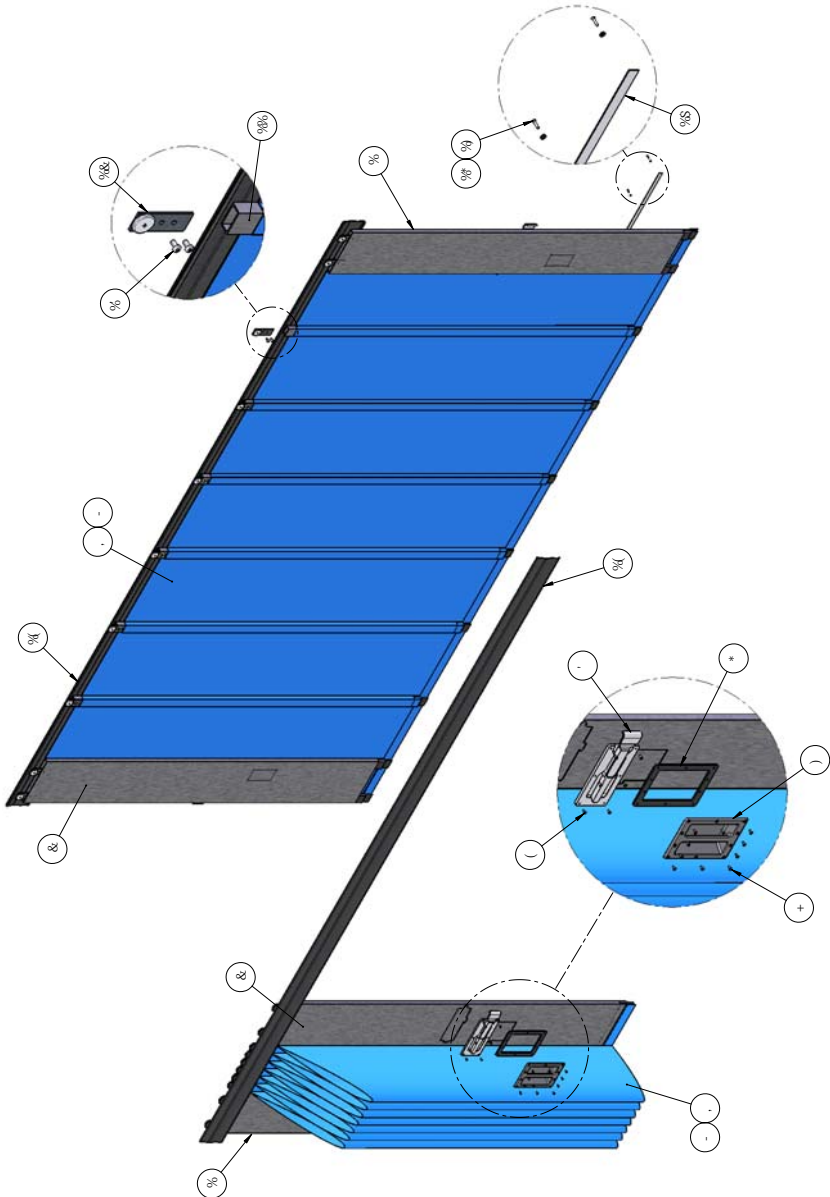


## Spare Parts

ITEM	PART NUMBER	DESCRIPTION	QTY
1	VFS01-15-117C	Step Assy LH – 3.5T GVM variants only	1
2	VFS01-15-136A	Tread Plate.	1
3	100714	Screw – M8 x 20.	6
4	103835	Washer 8mm	12
5	100973	Nut – M8, self locking.	6
6	VFS01-15-115A	Rail - Side under-run protection	2
7	VFS01-15-116A	Kit – Front corner finisher – under-run protection	2
8	VFS01-15-114A	Bracket – Side under-run support.	2
9	VFS01-15-147A	Bracket – Side under-run support.	2
10	100721	Screw – M8 x 25	16
11	103835	Washer – 8mm	16
12	100973	Nut – M8, self locking.	16
13	VFS01-15-110B	Grab Handle (Qty 2 used on 4.6T variants)	1
14	VFSH01-0101	Screw – M8 x 35 (Qty 8 used on 4.6T variants)	4
15	103835	Washer – 8mm (Qty 8 used on 4.6T variants)	4
16	100973	Nut – M8, self locking. (Qty 8 used on 4.6T variants)	4
17	VFS01-15-047A	Timber – Bulkhead Protection. Phenolic Ply, 200 x 18 x 2040mm long.	1
18	VFS01-15-048A	Timber – Bulkhead Protection. Phenolic Ply, 100 x 18 x 2040mm long.	4
19	VFS01-15-145A	Timber – Bulkhead Protection. Hardwood, 182 x 25 x 2040mm long.	1
20	VFS01-15-144A	Timber – Bulkhead Protection. Hardwood, 85 x 25 x 2040mm long.	9
21	103202	Screw – M6 x 35 self drilling. (Qty 80 used with Hardwood Timber)	40

# Spare Parts

## Side Doors, and Curtain Assembly



## Spare Parts

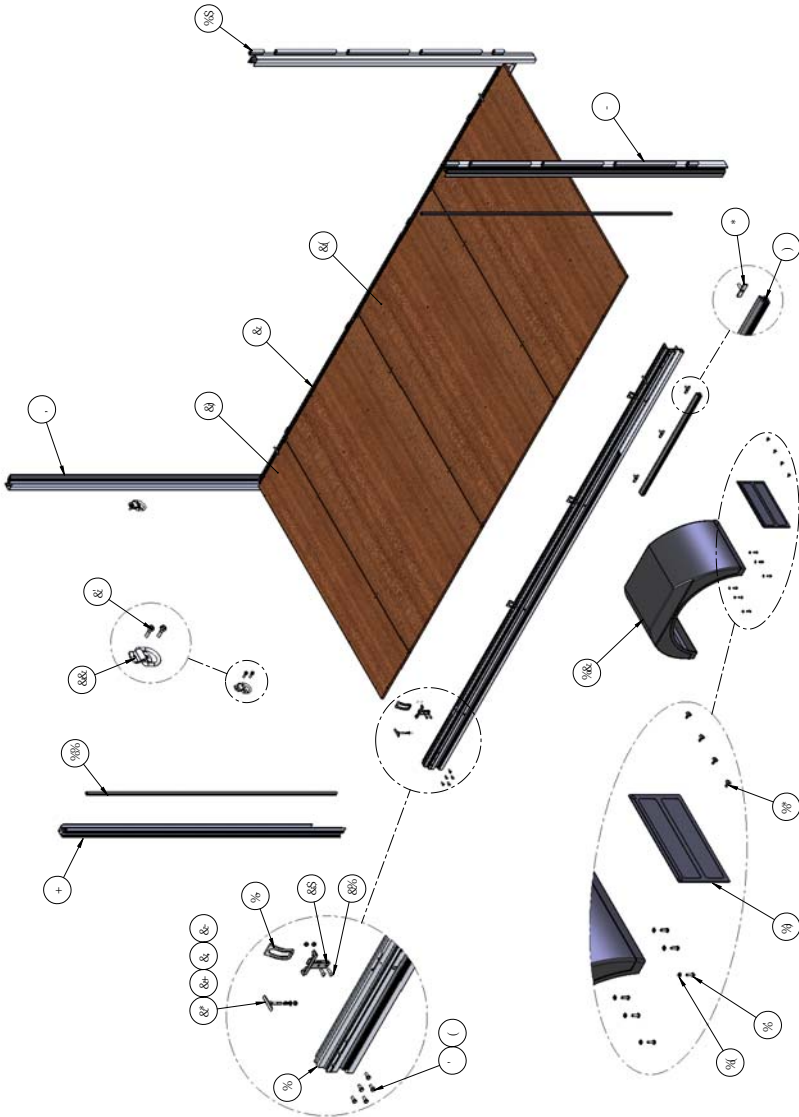
ITEM	PART NUMBER	DESCRIPTION	QTY
1	VFS01-15-196A	Side Door complete – Aluminium, LH front/RH rear. (3.5T variant.)	2
	VFS01-15-197A	Side Door complete – Aluminium, LH front/RH rear. (4.6T variant.)	2
2	VFS01-15-198A	Side Door complete – Aluminium, RH front/LH rear. (3.5T variant.)	2
	VFS01-15-199A	Side Door complete – Aluminium, RH front/LH rear. (4.6T variant.)	2
3	VFS01-15-200A	Handle and Latch Assembly – Curtain Side Door	4
4	VFSH05-0005	Rivet – Stainless steel, 4.8 x 12mm	24
5	VFSG21-0324	Handle. (4.6T variant only)	4
6	VFS01-15-096B	Spacer – (4.6T variant only)	4
7	VFSH05-0005	Rivet – Stainless steel, 4.8 x 12mm	40
8	VFS01-15-004A	Curtain – Fabric only. 3660mm body length.	2
9	VFS01-15-003A	Curtain – Fabric only. 4040mm body length.	2
10	VFS01-15-201A	Plastic Insert for curtain	4
11	VFS01-15-202A	Aluminium Supports – Curtain.	12
12	VFS01-15-203A	Roller Assembly – Curtain	20
13	VFS01-15-204A	Screw – M8, Stainless steel, Dome head.	40
14	VFS01-15-188A	Valence – Curtain	2
15	VFS01-15-231A	Screw - Countersunk Stainless Steel.	20
16	VFS01-15-232A	Cup – Screw.	20





# Spare Parts

## Side Raves, Rave Protection, Floor Boards, Fenders & Corner Posts



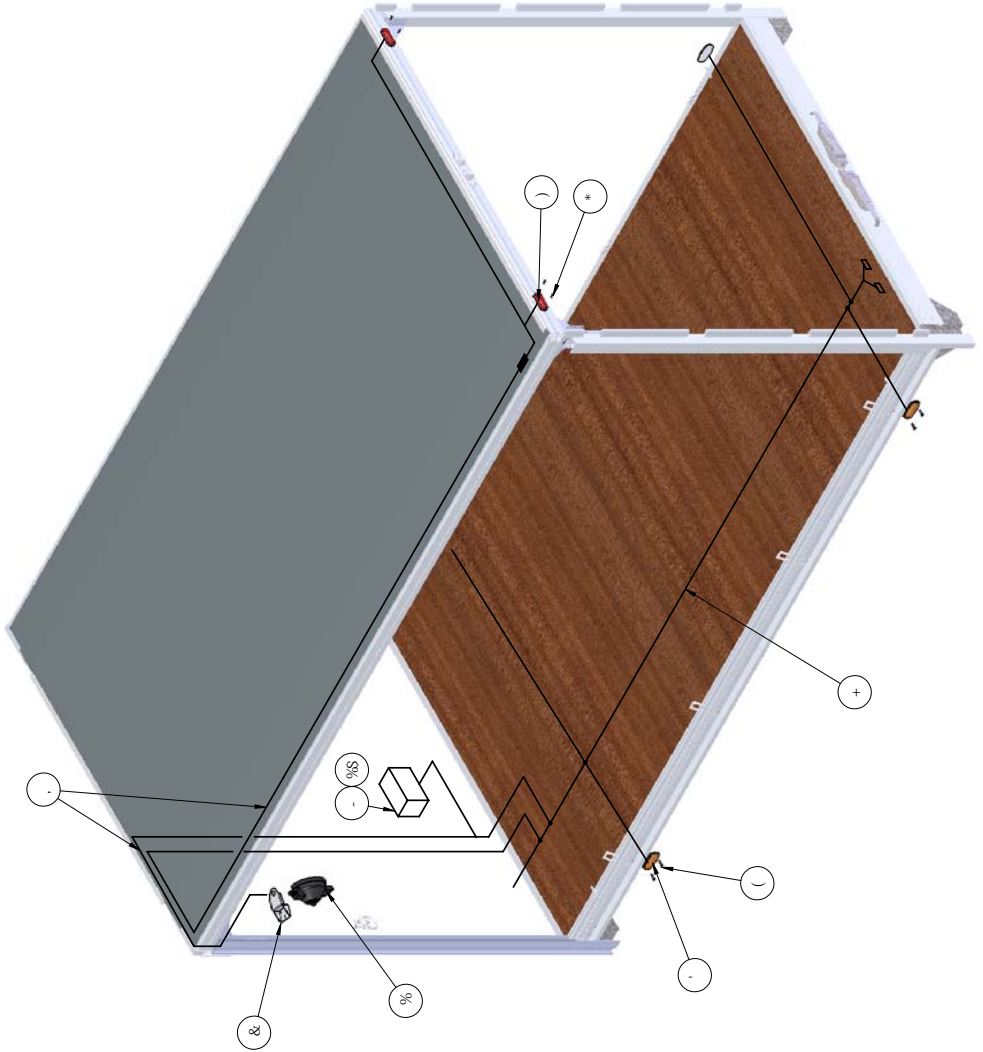
## Spare Parts

ITEM	PART NUMBER	DESCRIPTION	QTY
1	VFS01-15-218A	Side Rave LH	1
2	VFS01-15-219A	Side Rave RH	1
3	VFS01-15-220A	Screw – M8 x 20, Stainless Steel	14
4	100973	Nut – M8, Self Locking.	14
5	VFS01-15-113A	Bump Strip – Side rave protector (Optional)	3
6	VFS01-15-109A	T' Bolt – Retains bump strip.	20
7	VFS01-15-221A	Corner Post – LH Front.	1
8	VFS01-15-222A	Corner Post – RH Front.	1
9	VFS01-15-223A	Corner Post – LH Rear.	1
10	VFS01-15-224A	Corner Post – RH Rear.	1
11	VFS01-15-225A	Seal – Corner Post	4
12	VFS01-19-002A	Fender.	2
13	100721	Screw – M8 x 25.	12
14	103837	Washer – M8 x 24.	24
15	VFS01-19-022A	Shield – Wheel Splash.	2
16	VFSH07-0001	Fastener - 8mm x 24.3mm Push Pin Plastic.	8
19	VFS01-15-226A	Load Lash Ring – Floor mounted.	8
20	VFS01-15-227A	Support – Load lash ring.	8
21	VFS01-15-220A	Screw – Load lash support	16
22	VFS01-15-007A	Load-Lash Ring & Cleat – Bulkhead mounted.	2
23	VFSH02-0151	Bolt – M10 x 50, Grade 10.9.	4
24	VFS01-15-187A	Board - Floor; 1200mm x 2036mm x 18mm. Curtain Slide Transit.	3
25	VFS01-15-189A	Board - Floor; 440mm x 2036mm x 18mm. Curtain Slide Transit.	1
26	VFS01-15-228A	Retainer – Curtain open.	4
27	VFS01-15-229A	Spring – Curtain open retainer.	4
28	103837	Washer – Curtain open retainer.	4
29	VFSH04-0004	Nut – M8 nyloc	4

# Spare Parts

---

## Electrical Items





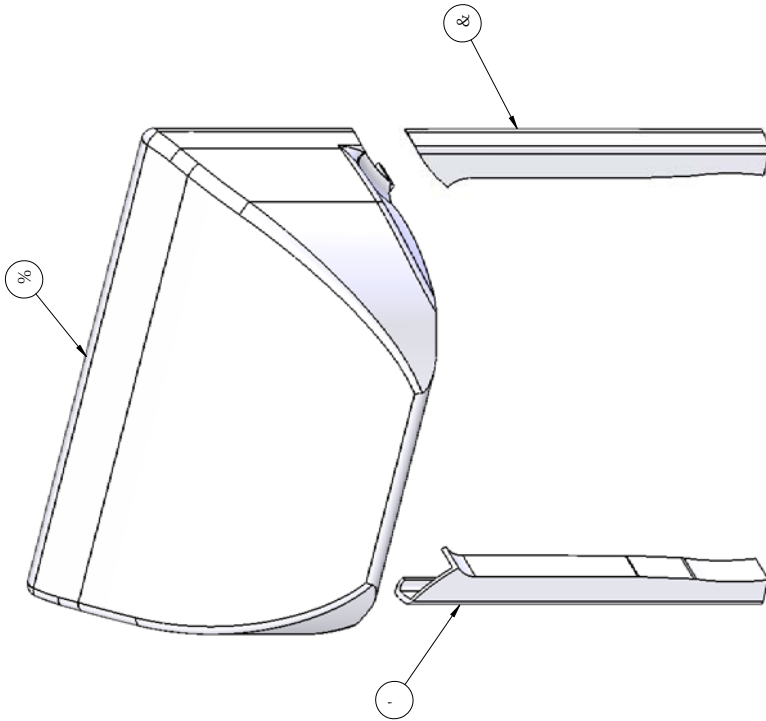
## Spare Parts

ITEM	PART NUMBER	DESCRIPTION	QTY
1	VFG21-0150	Lamp Assembly – Interior	1
2	VFS01-15-137A	Bracket – Interior Lamp	1
3	VFS01-15-076A	Lamp & Loom Assy, Side marker.	4
4	VFS01-15-0131	Screw – Side marker lamp	8
5	VFS01-15-077A	Lamp & Loom Assy – Rear end outline marker.	2
6	VFSH01-0082	Screw – Rear end outline marker lamp.	4
7	VFS01-15-075A	Wiring Assembly – Power Feed	1
8	VFS01-15-230A	Wiring Assembly – Interior Lamp & Rear Marker	1

# Spare Parts

---

## Aero Pack



## Spare Parts

---

ITEM	PART NUMBER	DESCRIPTION	QTY
1	VFS01-15-090A	Spoiler - Roof	1
2	VFS01-15-092A	Side Deflector - LH	1
3	VFS01-15-093A	Side Deflector - RH	1
4	VFSH17-0110	Cleaner/Activator	1
5	VFSH17-0117	PJ Adhesive & Sealer.	1
6	VFSH17-0113	Sealer – Black, 290ml	1

# Spare Parts

## Information Decals



## Spare Parts

ITEM	PART NUMBER	DESCRIPTION	QTY
1	VFS01-15-101A	Decal - "Unstable Load.../Keep Hands Clear..."	4
2	VFS01-15-102B	Decal - "Max Height.../Read Instruction Manual..."	1
3	VFS01-15-103A	Decal - 270 Degree Door Retainer - (LH)	1
4	VFS01-15-104A	Decal - "800Kg Max Load..."	2
5	VFS01-15-138A	Decal - "1000Kg Max Load"	2
6	VFS01-15-106A	Decal - "Read Instruction Manual.../To Retain Curtain in Open Position..."	4
7	VFS01-15-107A	Decal - 270 Degree Door Retainer (RH)	1
8	VFS01-15-194A	Decal - "Grab Handle Only"	1

## Warranty

---

The base vehicle is protected by a 3-year/100,000 mile warranty by Ford Motor Company under the standard conditions of warranty for Transit. The additional vehicle equipment, supplied and fitted by VFS Ltd are covered under separate 3-year/100,000 mile warranty offered by VFS Ltd.

Upgrades are available for the base vehicle, giving a option of scheduled servicing for up to 4 years. Upgrades are not available for the additional content supplied by VFS Ltd.

Warranty claims for the additional content supplied by VFS Ltd, detailed in the parts list section of this handbook should be made direct to VFS Ltd.

Contact details:-

VFS (Southampton) Ltd.,  
Unit 8  
Barton Park Industrial Estate,  
Chickenhall Lane  
Eastleigh  
Hants  
SO50 6RR

Tel: 023 8065 1704

Fax: 023 8062 0999

E-mail: [parts@vfs.co.uk](mailto:parts@vfs.co.uk)

# Index

---

Description	Page
<b>C</b> Curtain Operation Curtain Open Retainers	
<b>D</b> Decals Dimensions Doors Door Retainers - 270	
<b>G</b> Grab Handles	
<b>H</b> Handles	
<b>I</b> Interior Spot Lamp Introduction	
<b>L</b> Lamps Loading Load Retention Locks	
<b>M</b> Maintenance and Repair Log	
<b>P</b> Parts and Accessories	
<b>R</b> Rear Marker Lamps Retainers – Curtain Open	
<b>S</b> Safety First Side Marker Lamps Spare Parts Spot Lamp - Interior Steps Symbols in this Handbook	
<b>T</b> Technical Information Tie Down Points	
<b>W</b> Warranty Wiring Diagram	

## Maintenance & Repair Log

---

This Log is intended to keep a record of all maintenance and repair actions carried out on the parts and equipment detail within the parts section of this handbook.

Date \_\_\_\_\_

Mileage \_\_\_\_\_

Service Agent/Repairer:

Maintenance/Repair action

Date \_\_\_\_\_

Mileage \_\_\_\_\_

Service Agent/Repairer:

Maintenance/Repair action



## Maintenance & Repair Log

---

Date

Mileage

Service Agent/Repairer:

Maintenance/Repair action

Date

Mileage

Service Agent/Repairer:

Maintenance/Repair action

## Maintenance & Repair Log

---

Date

Mileage

Service Agent/Repairer:

Maintenance/Repair action

Date

Mileage

Service Agent/Repairer:

Maintenance/Repair action